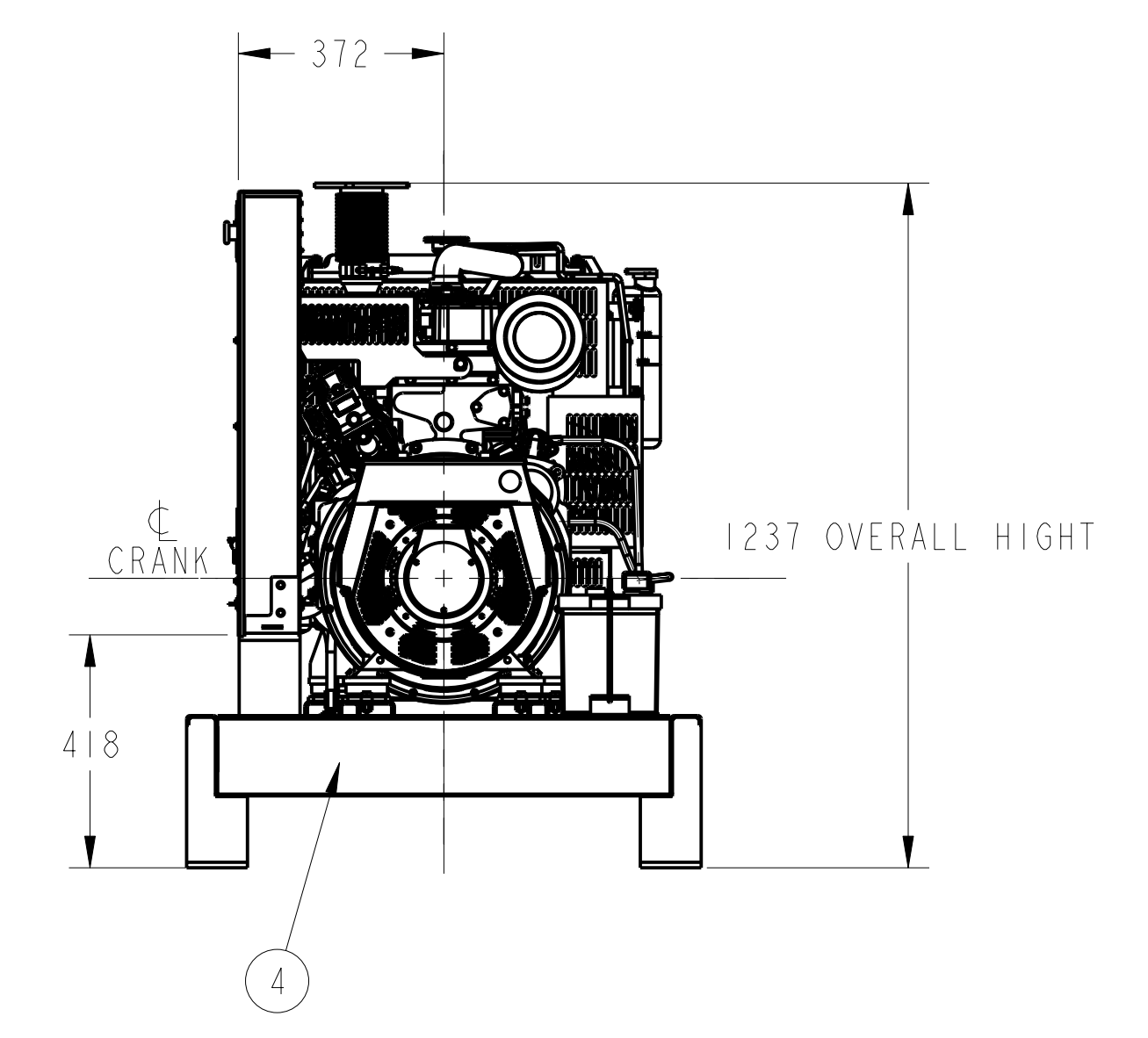
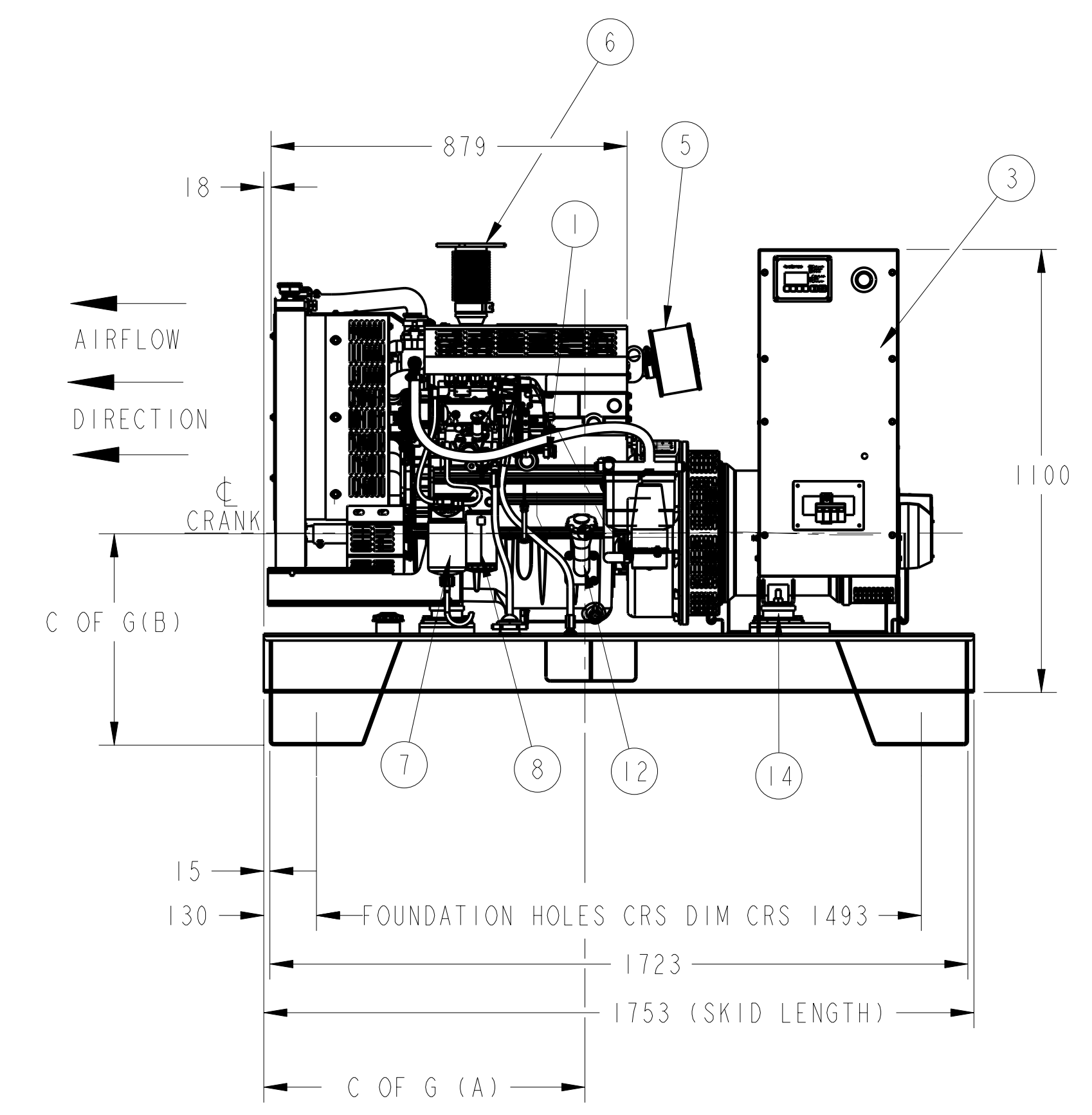
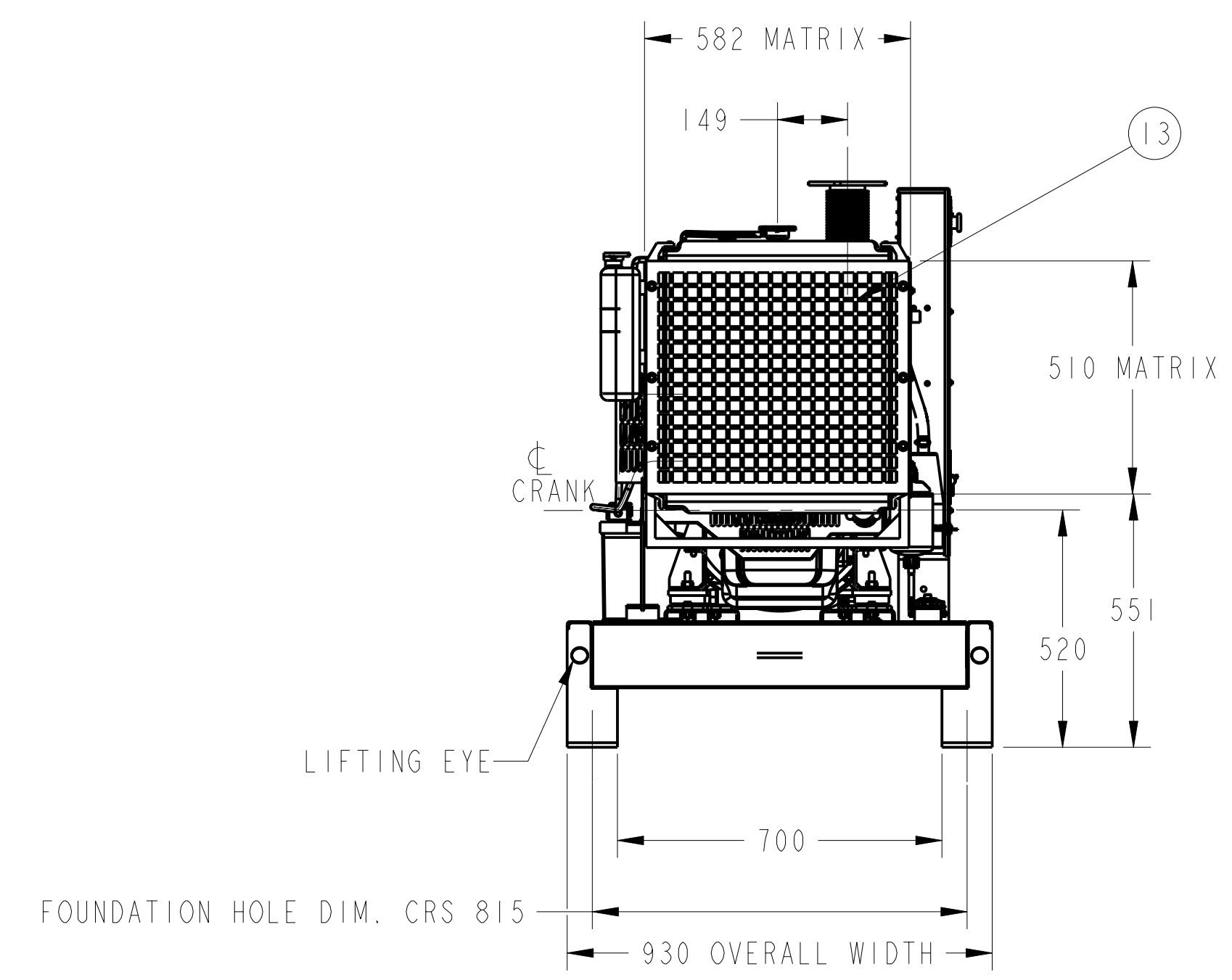
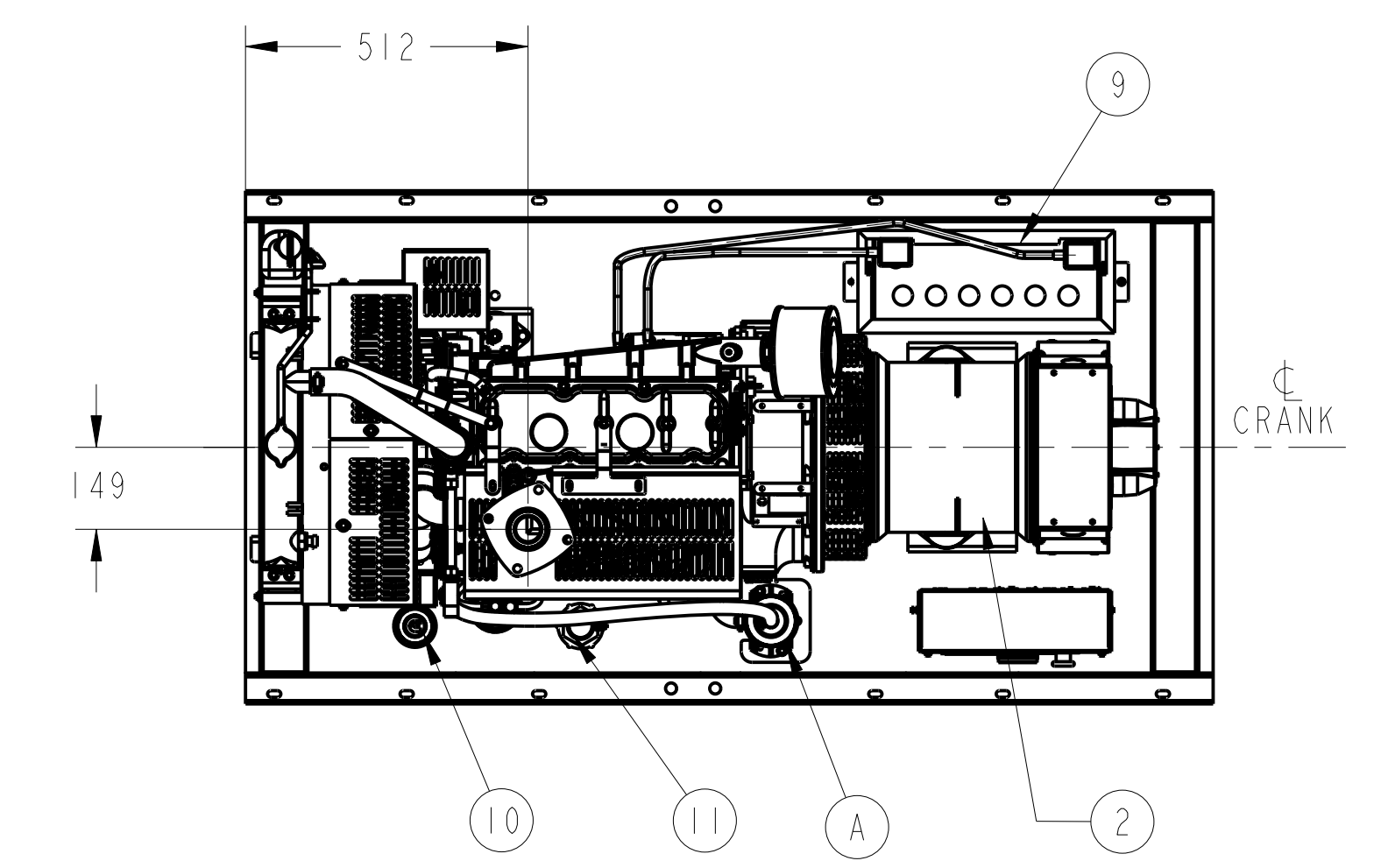
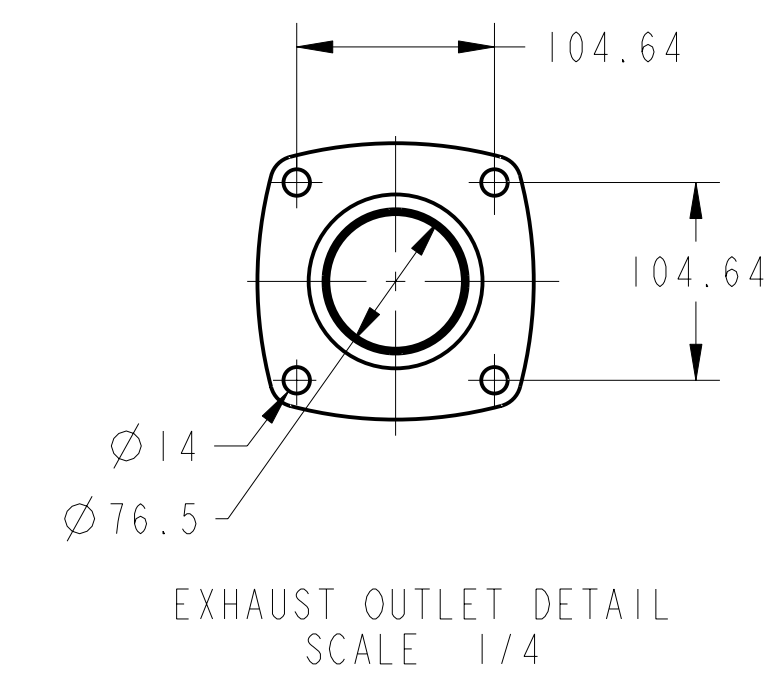


REL NO	LTR	NO	REVISION	ZONE	DWN	CKD	APVD	DATE
ER574660	A	1	PRODUCTION_RELEASE	-	SH	MD	YJ	10-12-07

NOTES:-  
1. CUSTOMER LOAD CABLES TO BE FLEXIBLE TO ALLOW FOR MOVEMENT OF GENSET ON A.V.MOUNTS.  
2. TO BE SUPPLIED LOOSE IN KIT.



ENGINE	ALTERNATOR	WT WITH WET ENGINE kg	WT WITH WET ENGINE & FUEL kg	WT WITH DRY ENGINE kg	C OF G (A)	C OF G (B)
X3.3 G1/	PI 144G	875	1024	710	811	520
X3.3 G2	PI 144H	910	1059	745	814	520

ITEM	DESCRIPTION
A	COOLENT HEATER (SHOWN)
B	EXHAUST BELOW
C	EXHAUST FIXING KIT
D	INLINE ENTRY 94b SILENCER
E	SIDE ENTRY 94b SILENCER
F	INLINE ENTRY 94b SILENCER
G	SIDE ENTRY 254b SILENCER
H	INLINE ENTRY 354b SILENCER
J	SIDE ENTRY 354b SILENCER
K	FUEL TRANSFER PUMP
L	TOOLKIT
M	BATTERY CHARGER (SHOWN)
N	AUXILIARY SUPPLY 115-230V (SHOWN)
P	LOAD CONNECTION (SHOWN)
Q	MAIN EARTH CONNECTION (SHOWN)

QTY	ITEM	PART NO	DESCRIPTION OR MATERIAL
1	14	REF ONLY	ISOLATOR-VIBRATION
1	13	REF ONLY	RADIATOR
1	12	REF ONLY	LUB OIL FILLER
1	11	REF ONLY	FUEL LEVEL INDICATOR
1	10	REF ONLY	FUEL FILLER
1	9	REF ONLY	BATTERY
1	8	REF ONLY	LUB-OIL FILTER
1	7	REF ONLY	FUEL FILTER
1	6	REF ONLY	EXHAUST OUTLET
1	5	REF ONLY	AIR-CLEANER
1	4	REF ONLY	SKID AND TANK ASSY
1	3	REF ONLY	CONTORL-PANEL
1	2	REF ONLY	ALTERNATOR
1	1	REF ONLY	ENGINE

UNLESS OTHERWISE SPECIFIED, ALL DIMENSIONS ARE IN MILLIMETERS

ANG TOL: ± 1.0°	SCALE: 3/32	DO NOT SCALE PRINT	DATE 10-12-07	APVD Y-JOSHI	SITE CODE CIL	GENSET OUTLINE (OPEN SET)	0500_4991	SHEET 1 of 1
-----------------	-------------	--------------------	---------------	--------------	---------------	---------------------------	-----------	--------------

FOR INTERPRETATION OF DIMENSIONING AND TOLERANCING, SEE ASME Y14.5M-1994

REGISTERED OFFICE: KOLHAPUR, PUNE 411038 (INDIA)

PRO/ENGINEER